

EVO3

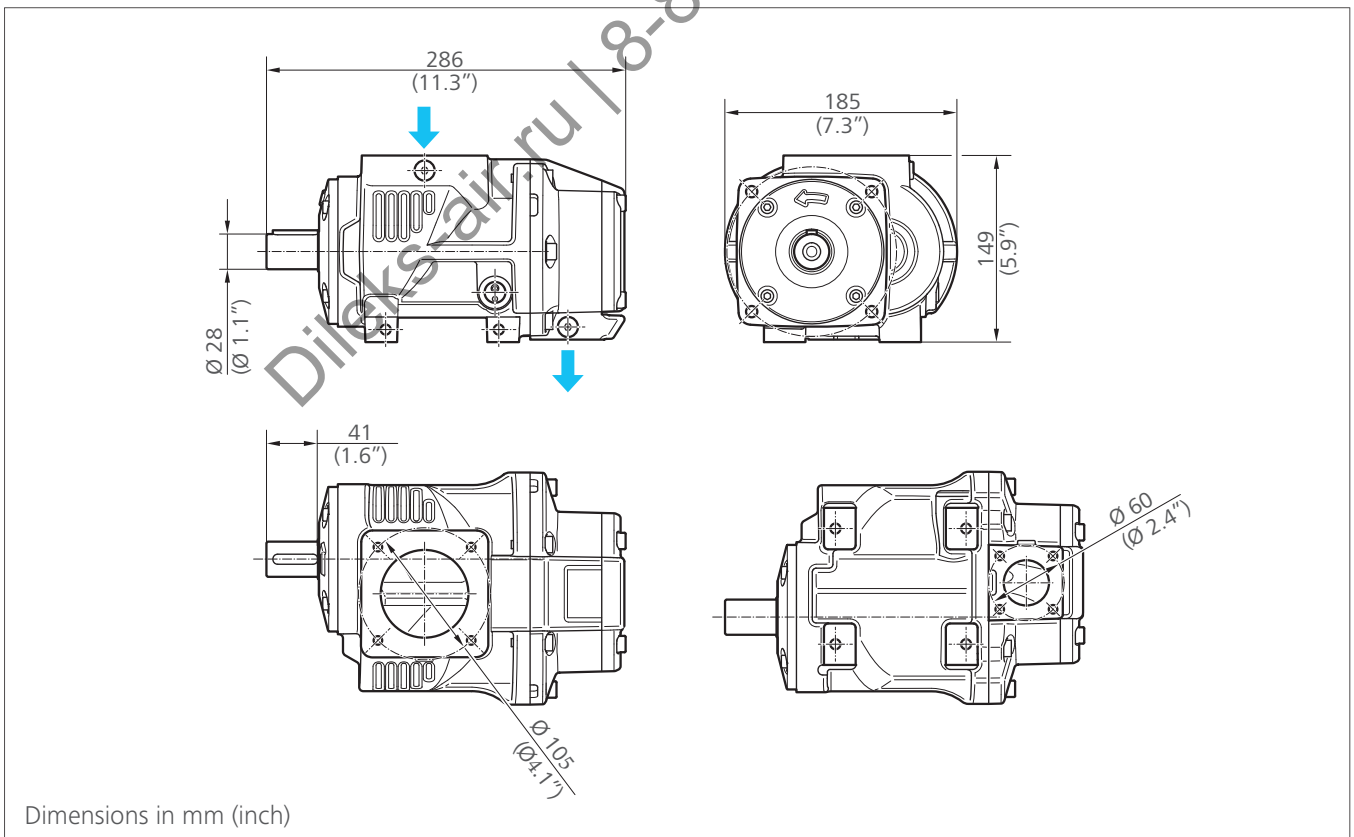
Air end



TECHNICAL SPECIFICATION

› Power range up to	18.5 kW / 25 HP
› Capacity up to	2.8 m ³ /min / 100 cfm
› Pressure up to	15 barg / 220 psig
› Weight approx.	21 kg / 46 lbs

››› Dimensioning



For detailed design, please order the installation drawing/3d model.

Technical modifications and errors excepted!
© 2013 ROTORCOMP®, Germany

